

## Low differential pressure sensors

- ranges from +/-100 mbar to 0-10mbar
- accuracy 0.15%
- 2-wire 4-20mA and 3-wire 0-5V output
- compact and lightweight
- welded-stainless steel construction
- very rugged
- IP65 protection
- wet air and aggressive vapours compatible

### Description

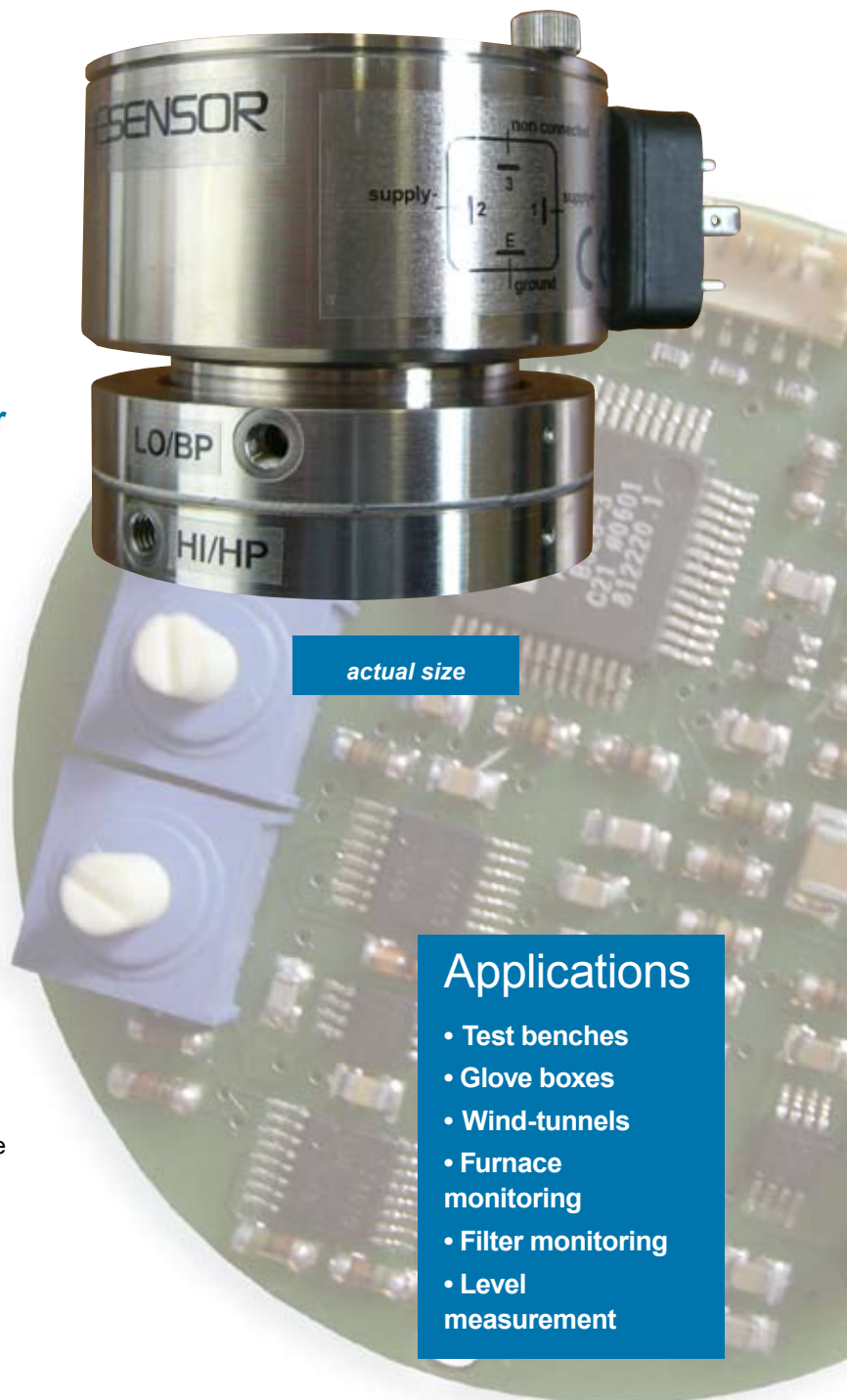
The DS\_LP series pressure sensors provide accurate measurement of gas and liquids differential pressure in very low ranges from 10 to 100 mbar. The standard output is 2-wire 4 to 20mA current loop, voltage output being an option. They are suitable for mono or bi-directional measurement.

### Operation

A high-resolution contactless inductive position detector measures the position of a diaphragm exposed to the process media differential pressure. The detector is sealed from the media. The detector operation is insensitive to the media allowing the sensor operation with any media chemically compatible with its construction materials. The sensing element, the transducer, the electronics and the mechanical parts are optimised for every single application.

### Performances

The DS\_LP series design favour ruggedness and reliability and makes it suitable for demanding industrial applications. The micro-processor based electronics enhances compensations quality as well as it potentially offers a gateway to digital communications. The DS\_LP series combine well-proven techniques with state of the art design.



### Applications

- Test benches
- Glove boxes
- Wind-tunnels
- Furnace monitoring
- Filter monitoring
- Level measurement

# NICHESENSOR

contact @nichesensor.com

DS\_LPdocen02c

Represented by

# DS\_LP series

## Low differential pressure sensors

### Pressure measurement specification

- **standard ranges:**
  - **bi-directional:** -10 to +10mbar, -25 to +25mbar, -100 to +100mbar
  - **uni-directional:** 0 to +10mbar, 0 to +25mbar, 0 to +100mbar
- **non-standard ranges:** maximum full scale 100mbar, minimum 10mbar
- **overpressure:** 3bar
- **line pressure:** 30bar maximum
- **compatible media:** see physical description
- **supply voltage:** 6.5V to 30V (voltage output: 8.5V)
- **standard output signal:** 4-20mA 2-wire
- **optional output signal:** 0 - 5V 3-wire
- **load impedance:**  $R_c(\text{k}\Omega)_{\text{max}} = (\text{Valim}-6.5) \times 0.05$  for voltage output  $R_{c\text{min}} = 10\text{k}\Omega$
- **operating temperature range:** -40 to +70°C
- **humidity:** 0 - 100%
- **user settings:** user-accessible digital encoders
  - **zero:** +/-50%
  - **gain:** +/-10% min
  - **damping:** from 0 to 10 sec

### Performance data

(values referenced to full scale)

- **precision (non-linearity, repeatability, hysteresis):**
  - **uni-directional ranges:** 0.15%
  - **bi-directional ranges:** 0.2%
- **resolution:** 4.10<sup>-4</sup>, min 0.1Pa
- **line pressure effect:** 0.05 / 0.10 / 0.20 mbar/bar maximum
- **long-term stability:** +/- 0.15% typ. over a year at reference conditions
- **mounting position effect:** 30Pa/90° tilt, correctible by setting
- **compensated temperature range:** 0 à 50°C
- **temperature effects:** ≤2.10<sup>-4</sup>/°C on zero and sensitivity
- **consumption:** ≤ 3.7 mA (basic)
- **protection:** reverse excitation protected
- **response time:** 50msec (excepting damping)
- **CE-compliance:** EMC-emission to EN61000-6-3 and EMC-immunity to EN61000-6-2 (EN61000-6-1 for voltage output)
- **insulation resistance:** >1GΩ@500V

### Physical description

- **housing:** 316L stainless steel
- **construction:** EB-welded
- **sensing element:** beryllium copper and brass
- **pressure ports:** M5 female
- **environmental protection:** IP 65
- **electrical connection :** DIN43650 (plug supplied)
- **weight:** 1100g
- **mounting:** 2x M4 holes in the base, 4 mm deep

### Options

- **pressure adaptors** 1/8NPTf or 1/8BSPPf
- **calibration certificate**
- **non-standard pressure range**
- **voltage output (0 to 5V)**
- **expanded compensated temperature range**
- **mounting bracket**
- **welded pressure fittings (Cajon VCR)**
- **square root extraction**
- **inconel sensing element (copper-free)**

### Ordering information

for example: **DS 25 T4 P**

25 = positive full scale in mbar

T meaning current output

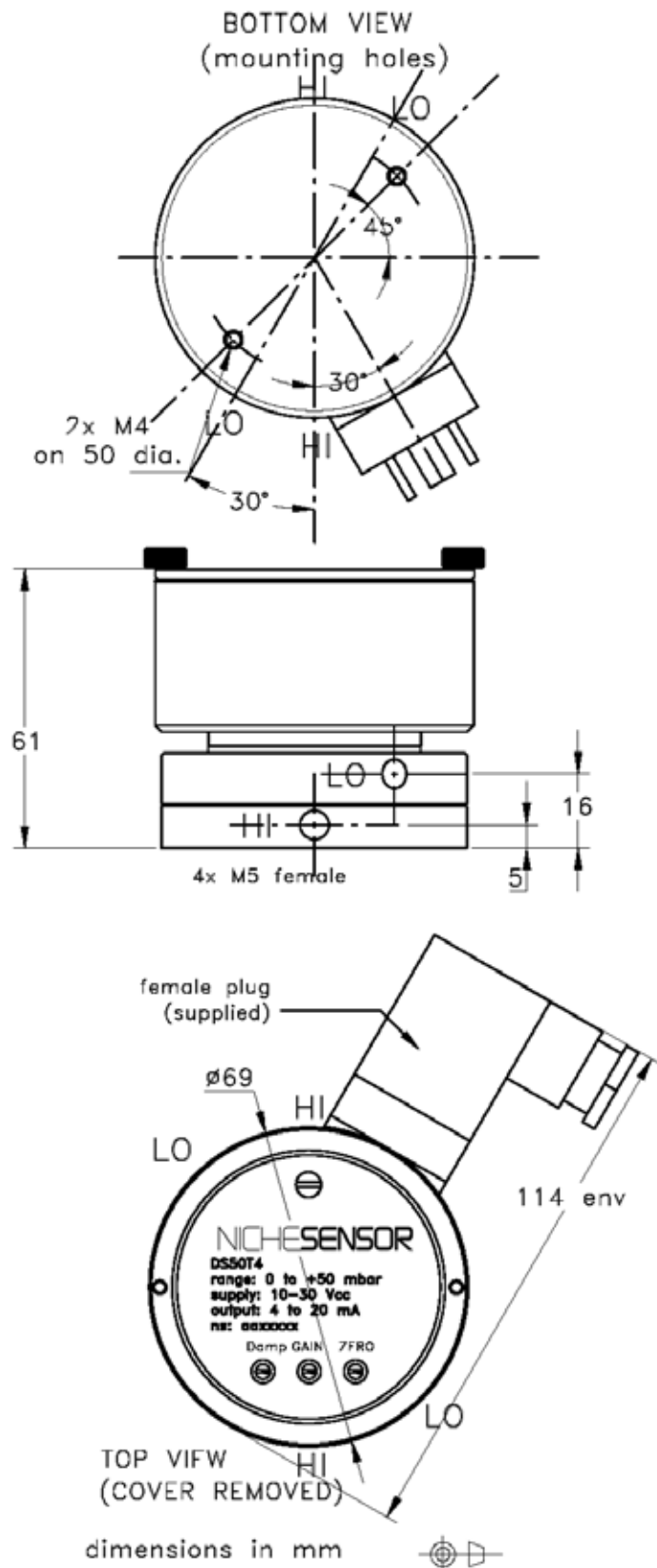
4 meaning 4mA at zero pressure

P meaning an option (to be precised)

> 4 to 20mA output for 0 to 25mbar pressure sensor

### Related products

DS\_ULP and DS\_MP series ; aluminium DT series



specifications subject to change without notice